

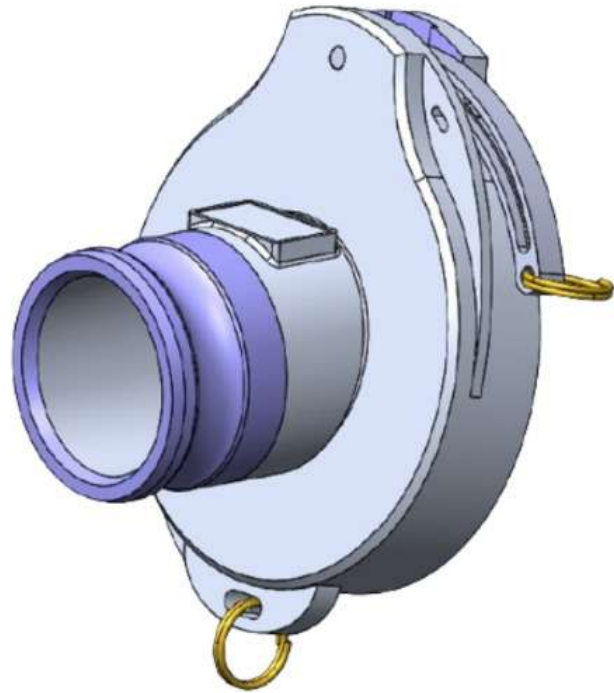
MTS-809 4"-3" GRAVITY COUPLER

Technical Data

- **Material:** ETIAL 171
- **Weight:** 1,7 kg
- **Nominal Size:** 4" - DIN100
3" - Kamlok outlet
- **Working Temp.:** -20 / +50 °C

Features

- In accordance with **EN 13083**
- Produced **lightweight die-cast aluminium** material for longer life time
- **NBR Gasket**
- **11° angle** for easy unloading
- **Minimum pressure drop and improve flow rate**
- Easy **one-hand operation** with a basic handle mechanism



Spare Parts for Maintenance

No.	Part No.	Description	Qty.
1	6323	Gasket (NBR)	1

