

## MTS-806 PRESSURE/VACUUM VENTIL

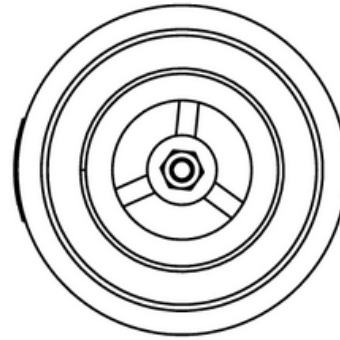
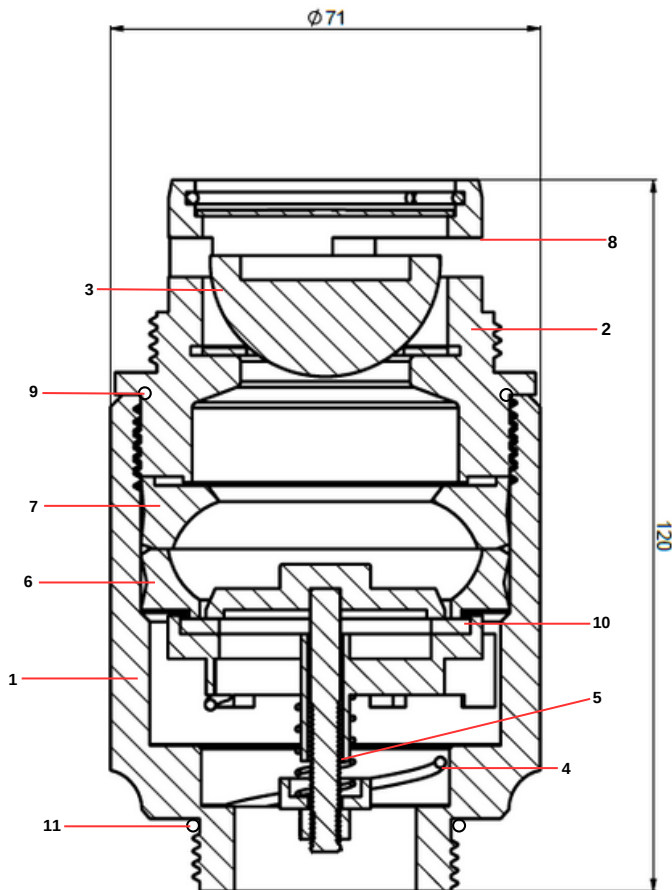
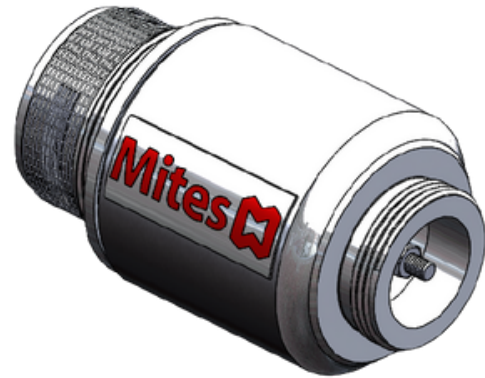
### Features

- In accordance with EN14595
- Pressure die-cast aluminium material, stainless steel parts for longer life time
- Automatically in roll over position on the fill cover
- NBR seals
- Filter to protect from wastes



### Technical Data

- **Material:** ETIAL 171
- **Weight:** 0.640 kg
- **Nominal Size:** 1 1/4", 1 1/2"
- **Flow Capacity:** 80 m /h air at 3 kPa
- 250 m /h air at 30 kPa
- **Vacuum:** 3 kPa
- **Pressure Relief:** 10 kPa



### Spare Parts for Maintenance

No.	Part No.	Description	Qty.
1	12951	Body	1
2	12952	Upper Body	1
3	12953	Tap	1
4	12954	Spring-V	1
5	12955	Spring-P	1
6	12956	Bottom Holder	1
7	12957	Upper Holder	1
8	12958	Filter	1
9	12959	O-ring (NBR)	1
10	129510	Seal(NBR)	1
11	129511	O-ring (NBR)	1