

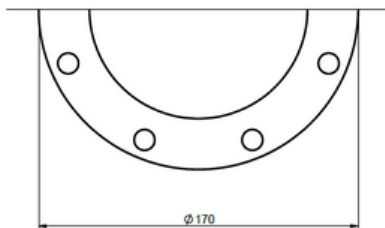
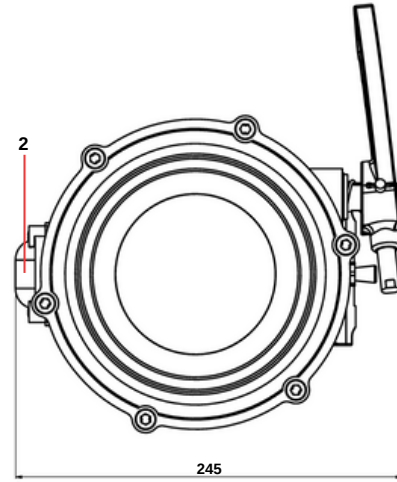
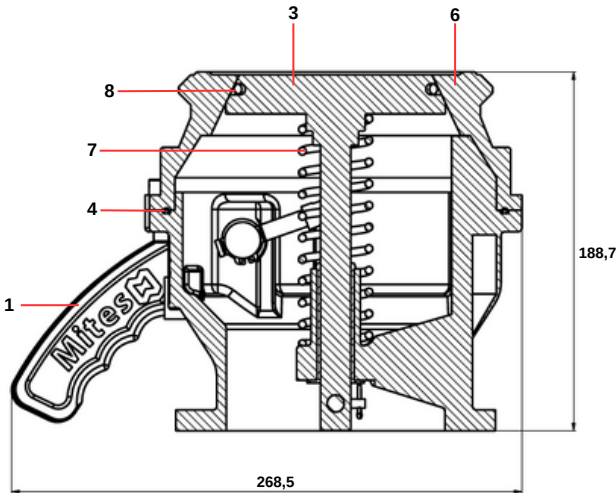
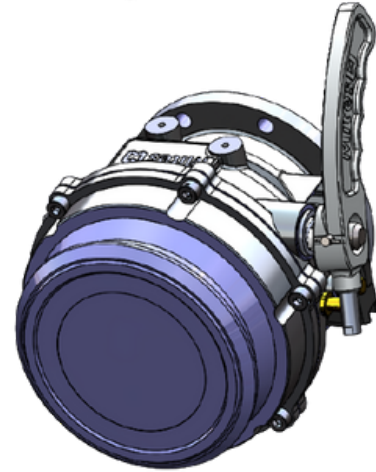
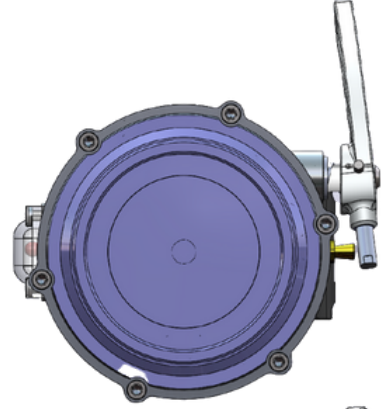
MTS-805 API VALVE - BOTTOM LOADING AND UNLOADING ADAPTOR

Technical Data

- **MAWP: 0.5 Bar / 50 kPa**
- **Temperature: -20 / +50 °C**
- **Material: ETIAL 171**
- **Weight: 5.3 kg**

Features

- In accordance with **EN 13083**
- **Ergonomic and comfortable** using through API Handle
- Produced of **lightweight Aluminium body** and **stainless steel parts**
- **High flow rating** and **less pressure drop** during discharging
- **VITON, NBR Gaskets and Seals**
- **Adjustable discharging speed** as high and low
- **Sight glass** for flow control
- Outer coupling size conforming to **international standards**



Spare Parts for Maintenance

No.	Part No.	Description	Qty.
1	1374	API Handle	1
2	1415	Sight Glass	1
3	1330	Poppet	1
4	1396	O-ring (NBR)	1
5	1475	Connection Seal	1
6	1329	Upper Body	1
7	1358	Spring	1
8	1407	O-ring (VITON)	1