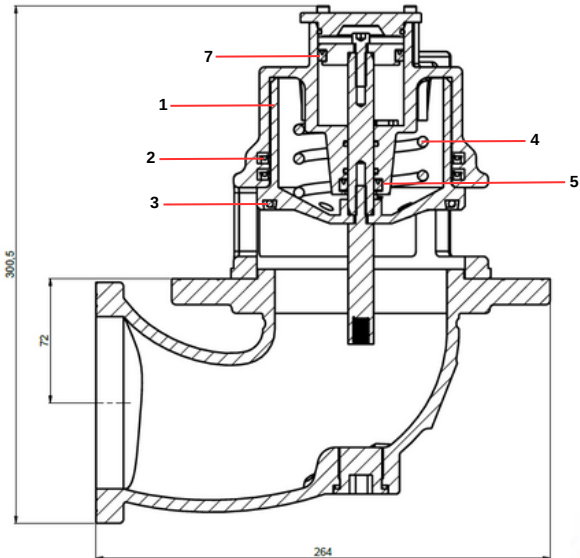
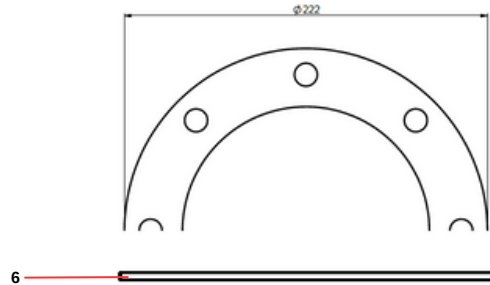
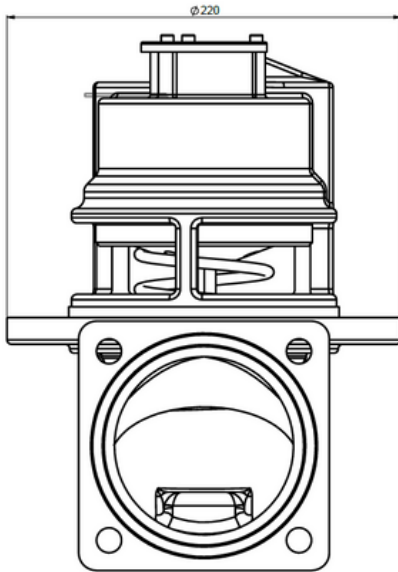
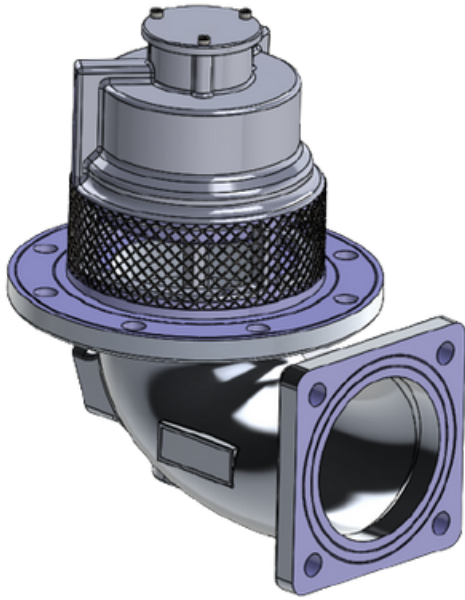


MTS-804 NON-PRESSURE BALANCED EMERGENCY VALVE-FOOTVALVE**Features**

- **Non pressure balanced valve** in accordance with **EN 13308**
- **4" or DN100** connection
- **Hard anodized** and **stainless steel** internal parts
- Body construction is in **Lightweight Aluminium**
- **Manuel openable** in case of emergency
- **VITON and NBR seals**
- **Stainless steel filter**

Technical Data

- **MAWP:** 5 Bar / 500 kPa
- **Temperature:** -20 / +50 °C
- **Material:** ETIAL 171
- **Weight:** 6.2 kg
- **Nominal Size:** 4" or DN100

**Spare Parts for Maintenance**

No.	Part No.	Description	Qty.
1	2533	Poppet	1
2	6282	Nutring (VITON)	2
3	6287	O-ring (NBR)	1
4	6283	Spring	1
5	6286	Nutring (VITON)	1
6	6291	Gasket (NBR)	1
7	6291	Seal (NBR)	1