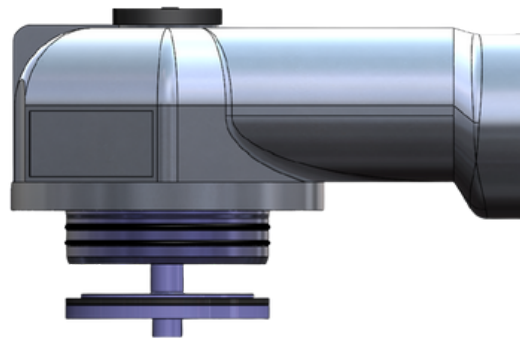
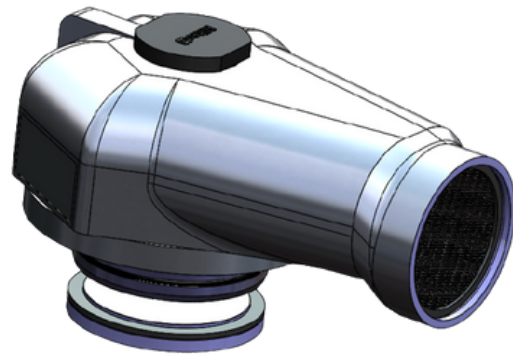


## MTS-802 VDV VAPOUR VENT

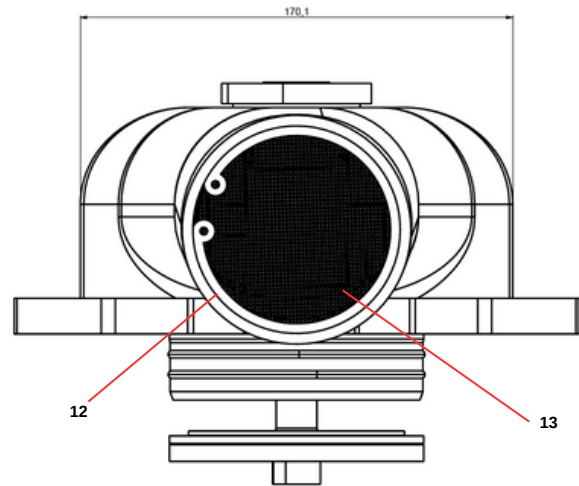
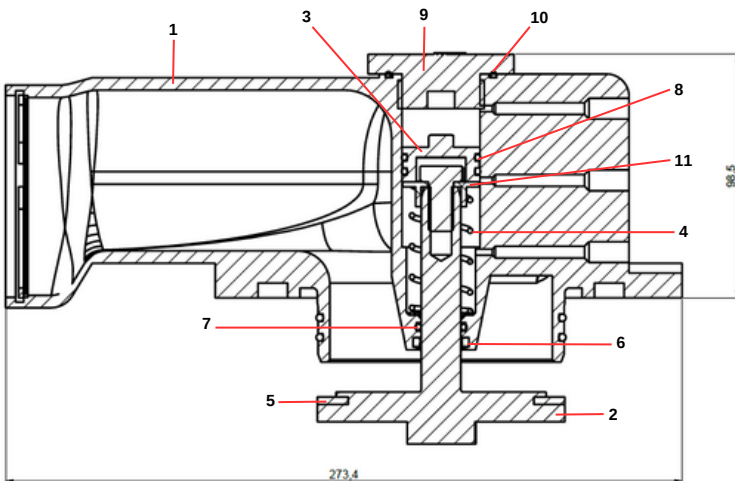
### Features

- Produced of **Lightweight Aluminium** material
- **Viton/NBR Gasket and Seal**
- **High flow rating** and less pressure drop
- Complies with **EN 13082** regulation



### Technical Data

- **MAWP:** 5 Bar / 500 kPa
- **Temperature:** -20 / +50 °C
- **Material:** ETIAL 171
- **Weight:** 2.7 kg
- **Nominal Size:** 3" or DN80



### Spare Parts for Maintenance

| No. | Part No. | Description    | Qty. | No. | Part No. | Description | Qty. |
|-----|----------|----------------|------|-----|----------|-------------|------|
| 1   | 2546     | Body           | 1    | 8   | 6345     | O-ring(NBR) | 2    |
| 2   | 2547     | Poppet         | 1    | 9   | 5994     | Cap         | 1    |
| 3   | 5981     | Piston         | 1    | 10  | 6352     | O-ring(NBR) | 1    |
| 4   | 6317     | Spring         | 1    | 11  | 7019     | Lock Washer | 1    |
| 5   | 7705     | Gasket (NBR)   | 1    | 12  | 7705     | Clip        | 1    |
| 6   | 6291     | O-ring (VITON) | 1    | 13  | 6347     | Filter      | 1    |
| 7   | 6291     | Seal (NBR)     | 1    |     |          |             |      |