

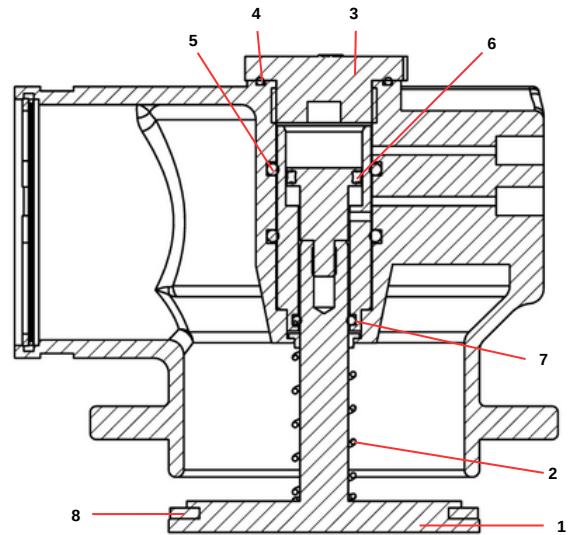
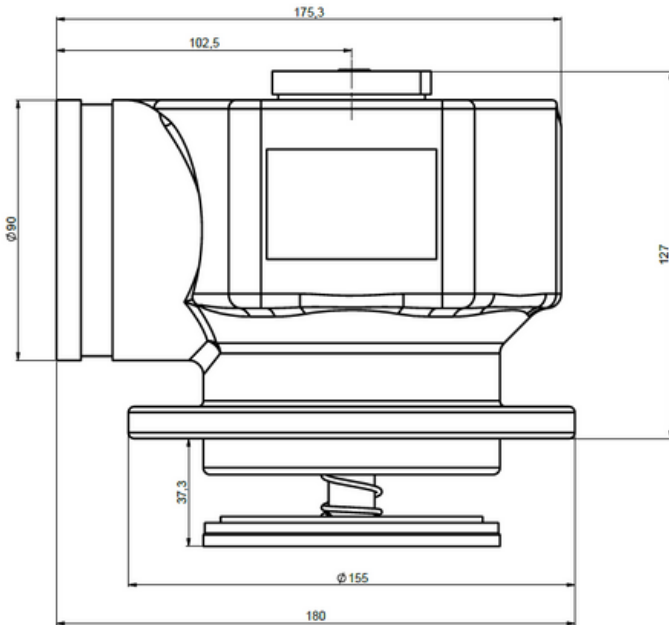
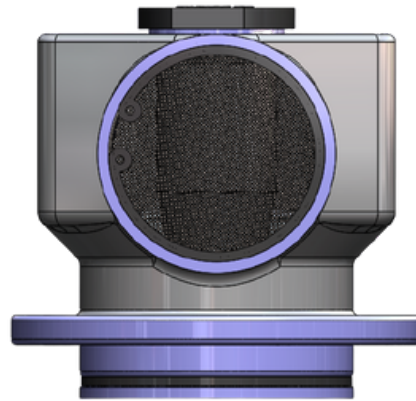
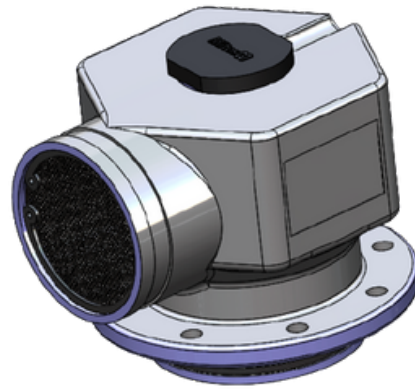
MTS-801 VDV VAPOUR RELASE VENT

Features

- In accordance with **EN 13082**
- Produced of **Aluminium material** with **corrosion-resistance**
- **NBR O-ring and Seals**
- **DN80 - 3"** mounting flange design
- Workable capacity in temperature range of **-20 / +50 °C**

Technical Data

- **MAWP:** 5 Bar / 500 kPa
- **Temperature:** -20 / +50 °C
- **Material:** ETIAL 171
- **Weight:** 2.2 kg
- **Nominal Size:** 3" or DN80



Spare Parts for Maintenance

No.	Part No.	Description	Qty.	No.	Part No.	Description	Qty.
1	2550	Poppet	1	5	6350	O-ring(NBR)	2
2	6285	Spring	1	6	6343	Seal(NBR)	1
3	5994	Cap	1	7	6342	O-ring(NBR)	1
4	6352	O-ring(NBR)	1	8	6351	Gasket(NBR)	1