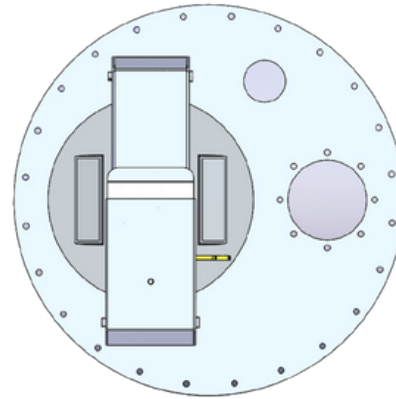
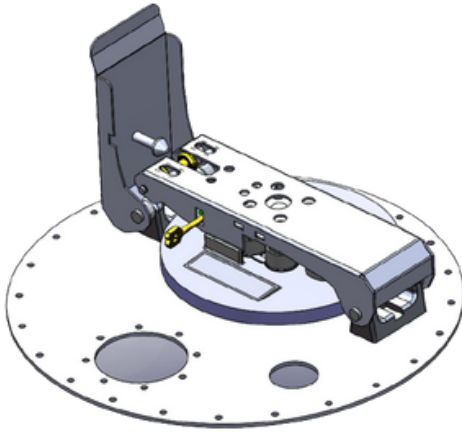
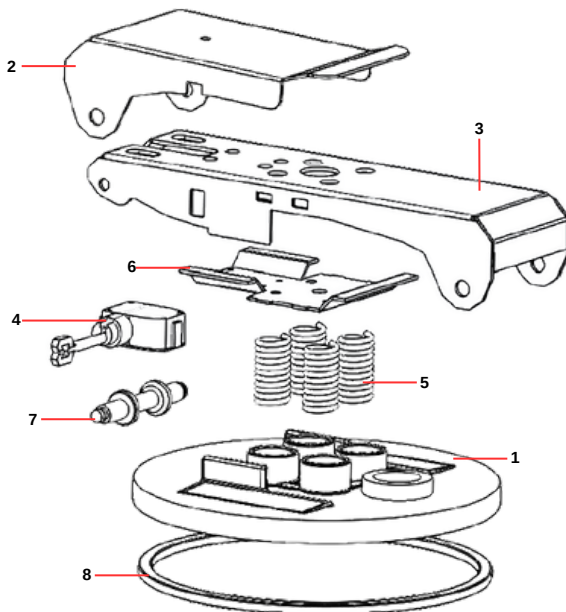
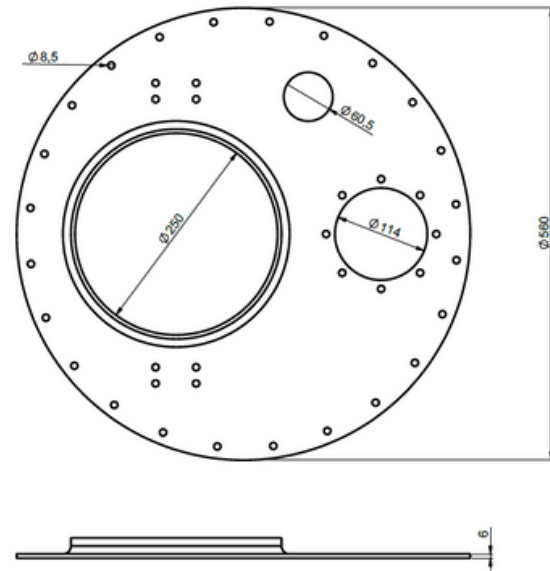


MTS-560 MCA MENHOLE COVER



Features

- In accordance with **EN13094, EN13314 (fill cover) and EN13317 (base-cover) standards**
- **22" and Lightweight Aluminium base-plate** for access compliance with ADR
- Including **locking part with key-lock**
- **Two-stage opening** system before fully opening
- Easily fitting of the **P/V Vent** on the fill cover and **automatically in roll over position**
- **24-bolt fixing** as required by ADR
- **NBR Seals** for **base-plate** and **fill cover**



Spare Parts for Maintenance

No.	Part No.	Description	Qty.
1	5601	Fill cap	1
2	5602	Latch	1
3	5603	Strong Back	1
4	5604	Lock part	1
5	5605	Spring	1
6	5606	Hold Cap	1
7	5607	Lock Mil	1
8	5608	Seal(NBR)	1