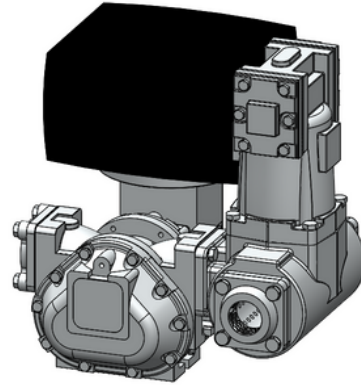
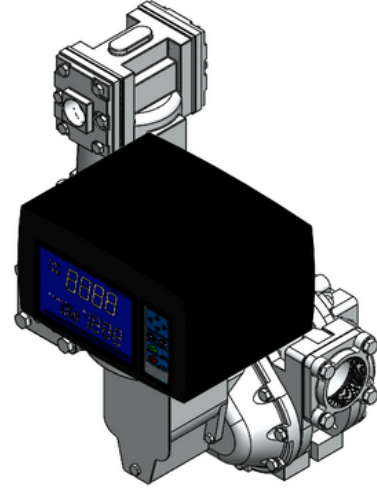


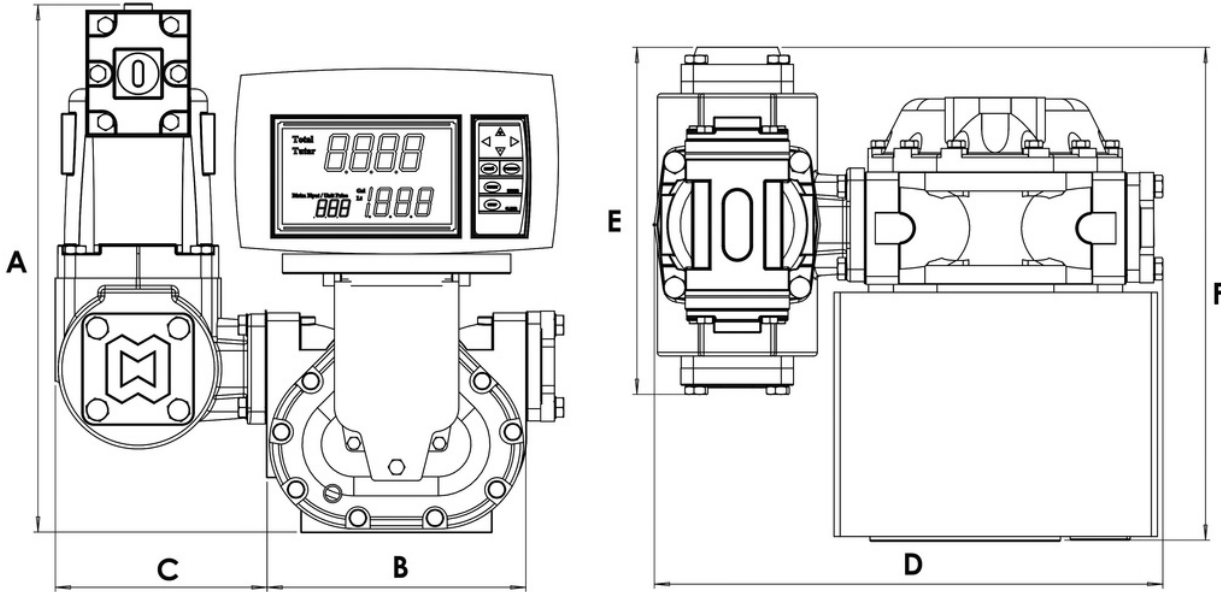
MİTES MTS-10 EN ADBLUE METER

TECHNICAL DATA

- ◆ **Product Type:** Adblue
- ◆ **Flow Rate (Min):** 35 lpm
- ◆ **Flow Rate (Max):** 350 lpm
- ◆ **Operation Temperature:** -40°C / +70°C
- ◆ **Counter Register:** Electronic-MC 02
- ◆ **Weight:** 23 kg
- ◆ **Dimensions (WLH):** 405×430×440 mm
- ◆ **Flange Diameter:** 1½"
- ◆ **Meter Body:** Anodized Coating



The MTS-10 model adblue meter, produced by the MİTES brand, one of the MLB Group companies, is a meter with positive displacement and high measurement accuracy. It is designed to be used safely wherever adblue measurement is required. When the usage and maintenance instructions are followed, it can be used for many years without any problems and accurate measurements can be taken.



DIMENSIONS (mm)	A	B	C	D	E	F
	440	215	175	430	285	405